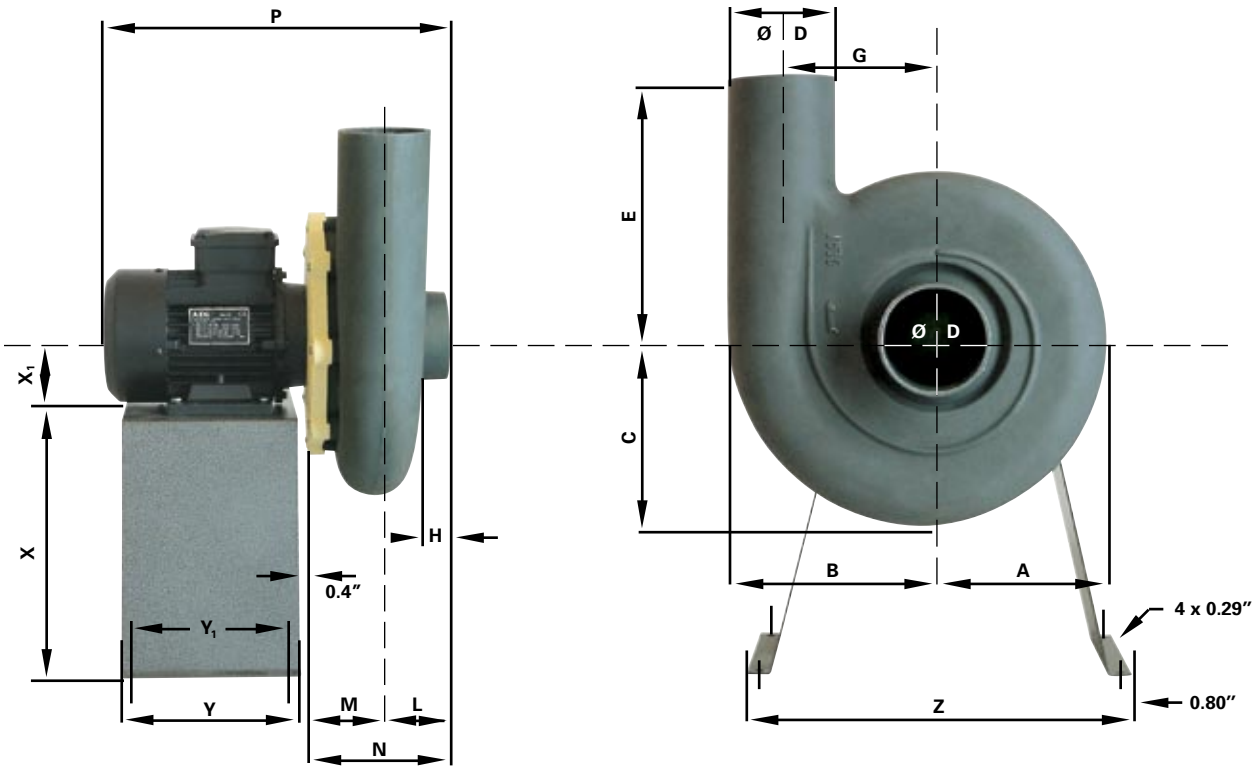




STORM 12



Metal stand does not come standard with fan (see accessories). Motor frame sizes may vary upon type of motor used.

DIMENSIONS (inches)

A	B	C	D	E	G	H	L	M	N	P	Y	Y ₁	Z	X	X ₁
5.71	6.89	6.42	3.54	8.35	5.12	1.77	3.15	2.83	5.98	13.78	7.09	6.30	13.39	9.45	2.80

Rotation and Discharge for Centrifugal Fans

STANDARD POSITION

OPTIONAL FIELD ADJUSTABLE POSITIONS



Counter-Clockwise
Up Blast
CCW 360



Counter-Clockwise
Top Angular
Up Blast
CCW 45



Counter-Clockwise
Top Horizontal
CCW 90



Counter-Clockwise
Top Angular
Down Blast
CCW 135



Counter-Clockwise
Down-Blast
CCW 180



Counter-Clockwise
Bottom Angular
Down Blast
CCW 225



Counter-Clockwise
Bottom
Horizontal
CCW 270

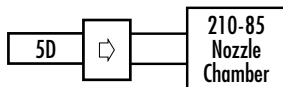
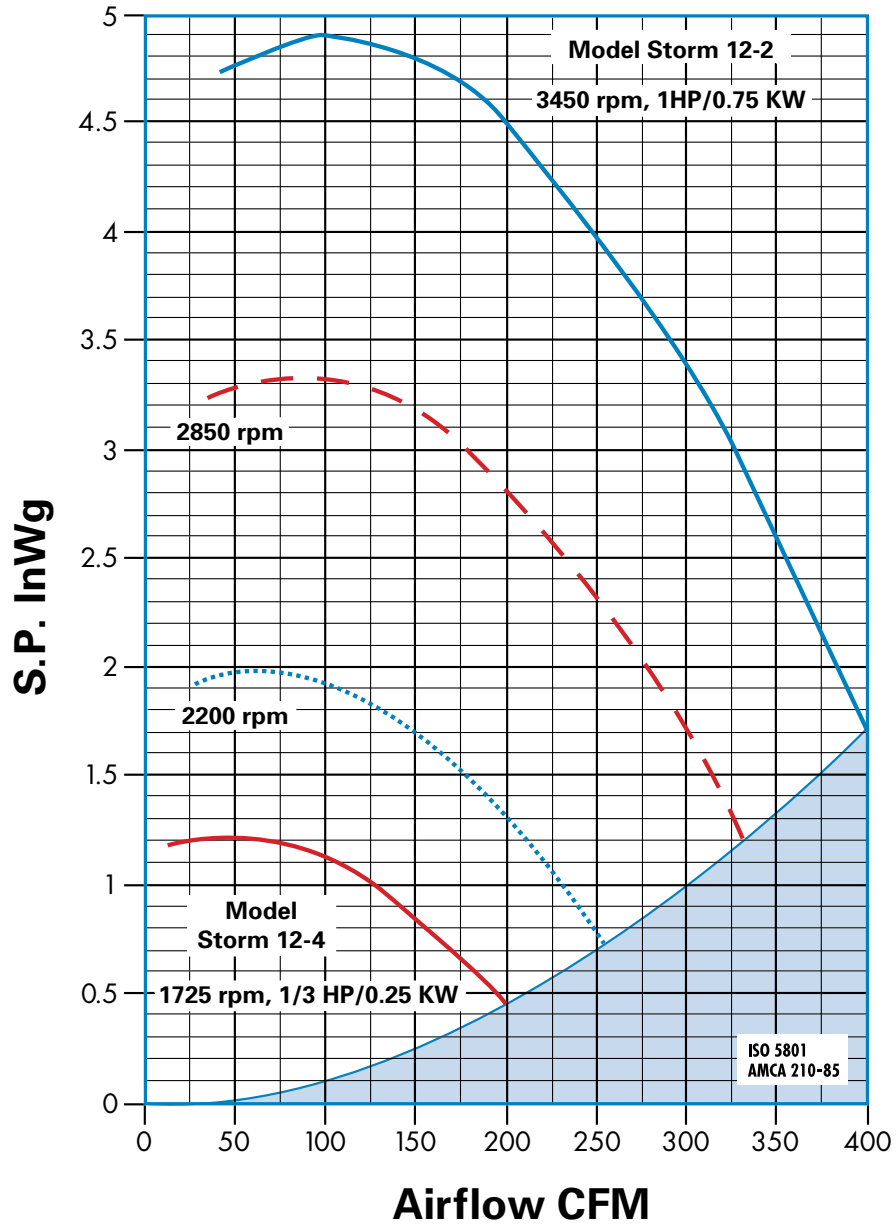


Counter-Clockwise
Bottom Angular
Up Blast
CCW 315

Notes:

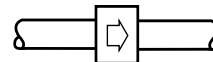
- (1) Direction of rotation is determined from the drive side of fan. **Standard position is up-blast CCW 360.**
- (2) On single inlet fans, drive side is always considered as the side opposite fan inlet.

STORM 12



Type B
Noise Level Test type B, visit our website for details

n (T/min) R.P.M.	dB (A)	dB
1450	71,7	83,9
1720	75,3	87,6
2850	85,8	98,1
3300	88,8	100,9



Type D
Ducted inlet/Ducted outlet

Housing and motor noise level when fan is running near maximum output

n (T/min) R.P.M.	Global dB	Global dB (A)
1450	60,4	56,8
1720	65,2	61,5
2850	76,8	74
3300	80,5	77,8

ISO 9614/1