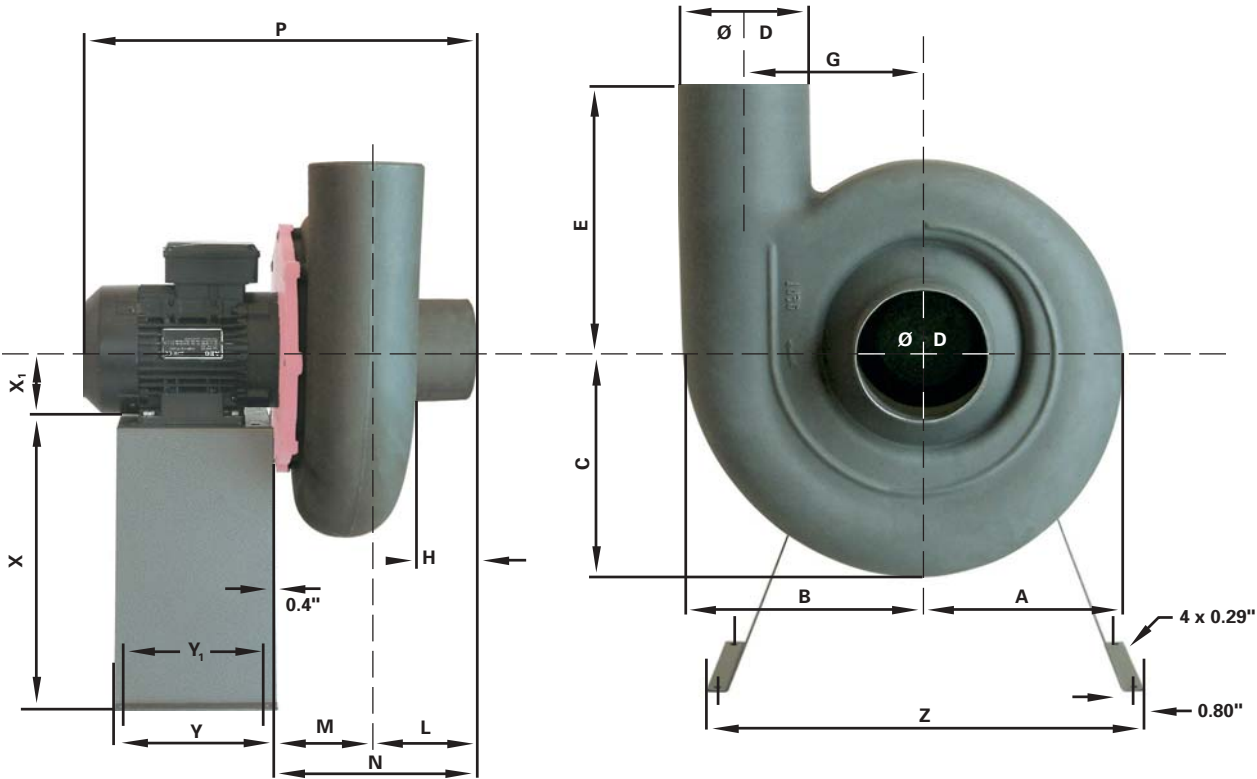




STORM 14



Metal stand does not come standard with fan (see accessories). Motor frame sizes may vary upon type of motor used.

DIMENSIONS (inches)

A	B	C	D	E	G	H	L	M	N	P	Y	Y ₁	Z	X	X ₁
7.40	9.13	8.94	4.53	10.58	6.69	4.17	6.33	3.27	9.60	19.05	7.09	6.30	13.39	9.45	3.15

Rotation and Discharge for Centrifugal Fans

STANDARD POSITION

OPTIONAL FIELD ADJUSTABLE POSITIONS



Counter-Clockwise
Up Blast
CCW 360



Counter-Clockwise
Top Angular
Up Blast
CCW 45



Counter-Clockwise
Top Horizontal
CCW 90



Counter-Clockwise
Top Angular
Down Blast
CCW 135



Counter-Clockwise
Down-Blast
CCW 180



Counter-Clockwise
Bottom Angular
Down Blast
CCW 225



Counter-Clockwise
Bottom
Horizontal
CCW 270

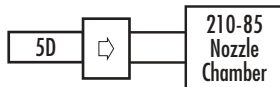
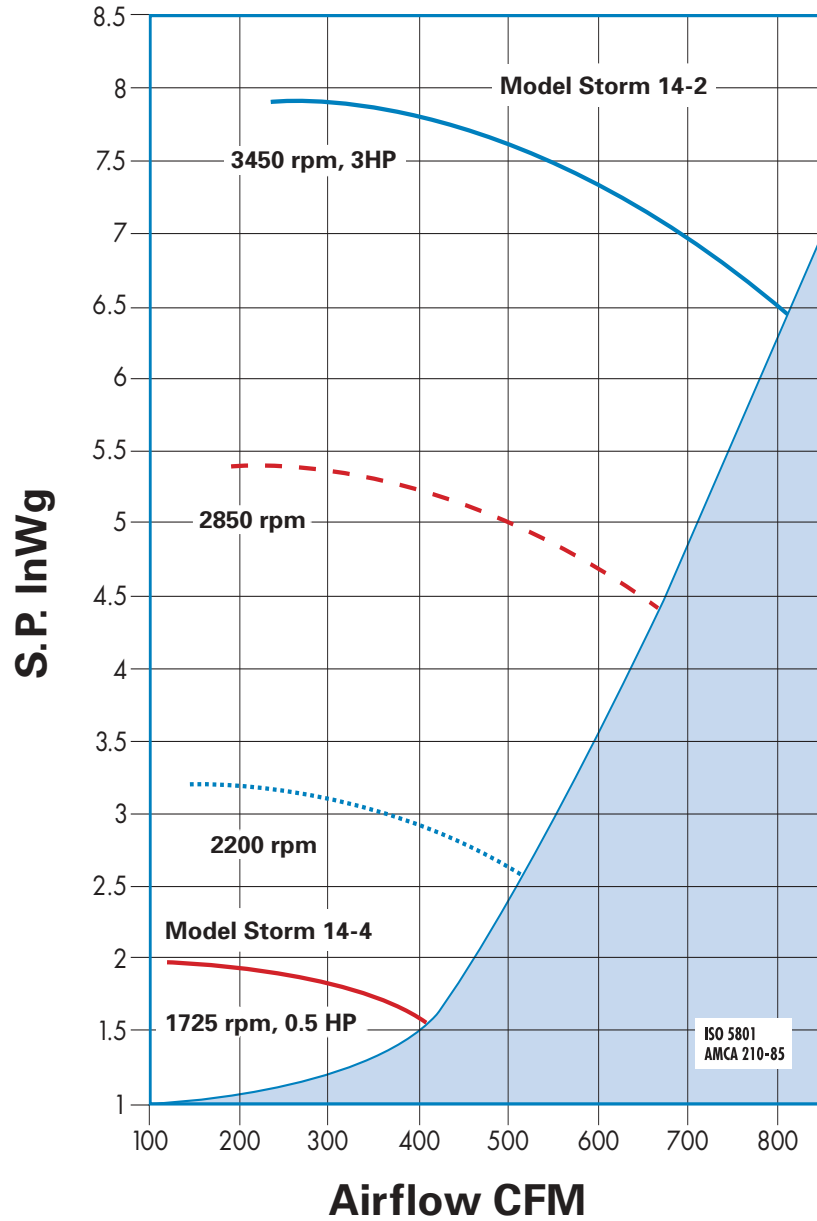


Counter-Clockwise
Bottom Angular
Up Blast
CCW 315

Notes:

- (1) Direction of rotation is determined from the drive side of fan. **Standard position is up-blast CCW 360.**
- (2) On single inlet fans, drive side is always considered as the side opposite fan inlet.

STORM 14



Type B
Noise Level Test type B, visit our website for details

n (T/min) R.P.M.	dB (A)	dB
1450	75	87,3
1720	78,8	90,8
2850	89,3	105,8
3300	93,1	110,5



Type D
Ducted inlet/Ducted outlet

Housing and motor noise level when fan is running near maximum output

n (T/min) R.P.M.	Global dB	Global dB (A)
1450	65,4	61,1
1720	69,1	69,1
2850	82,1	78
3300	86,7	81,8

ISO 9614/1